

Model: LXSG-15E3-20E3

Multi Jet Water Meter

Feature:

- Multi jet, Dry-dial
- Material body: Brass
- Size: DN15 to DN20mm, (1/2"-3/4")
- Available for cold water (50°C), hot water (90°C)
- Accuracy: Class B / R80 / R100



Main Technical Data:

According to IS04064(GB/T778.1-1996) Standard

Size		Class	Qs	Qp	Qt	Qmin	Min Reading	Max Reading
DN(mm)	Inch		Overload Flow	Nominal Flow	Transitional Flow	Min Flow		
		m ³ /h		L/h		m ³		
15	1/2"	A	3	1.5	150	60	0.0001	9999
		B			120	30		
20	3/4"	A	5	2.5	250	100	0.0001	9999
		B			200	50		

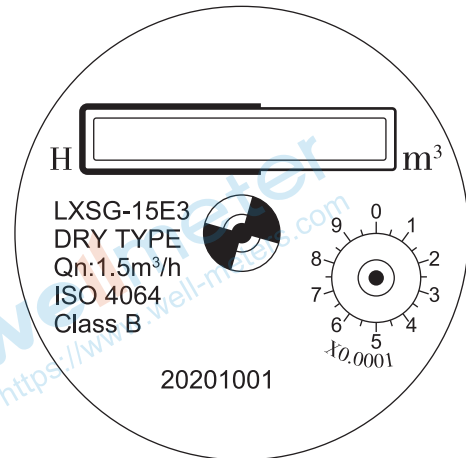
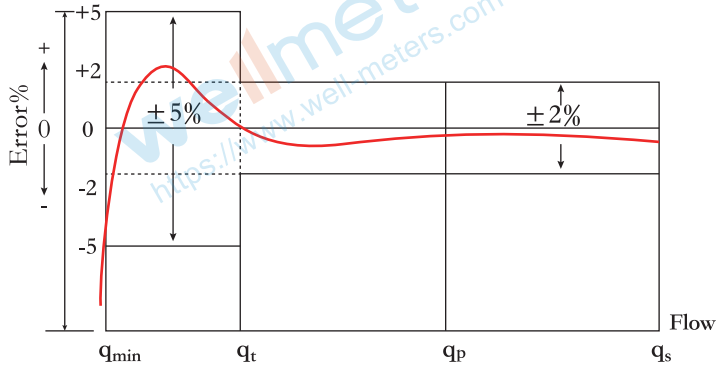
According to IS04064(GB/T778.1-2007) Standard

DN Size	Mm Inch	15 1/2"	20 3/4"
Q4(m ³ /h)		3.125	5
Q3(m ³ /h)		2.5	4
R80	Q2(L/h)	50	80
	Q1(L/h)	31.25	50
R100	Q2(L/h)	40	64
	Q1(L/h)	25	40
Min reading(m ³)		0.0001	0.0001
Max reading(m ³)		9999	9999
Max pressure(MAP)		16	16
Max loss(Δ P)		63	63
Max temperature		T50	T50

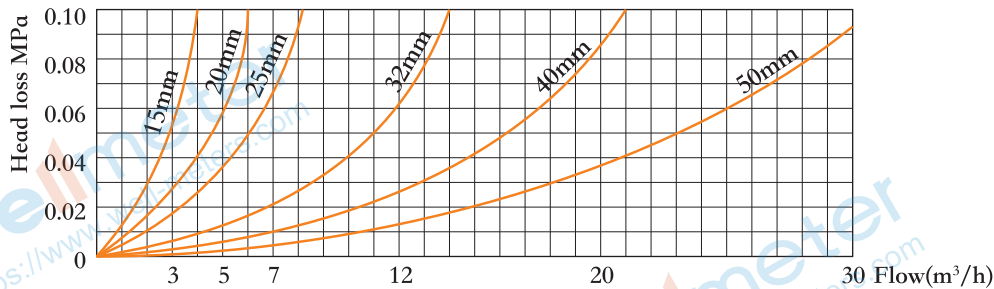
Model: LXSG-15E3-50E3

INDICATING ERROR

At low zone is $\pm 5\%$ from minimum flow rate (q_{min}) to transitional flow rate (q_t) exclusive boundary
 At high zone is $\pm 2\%$ from transitional flow rate (q_t) to overload flow rate (q_s)

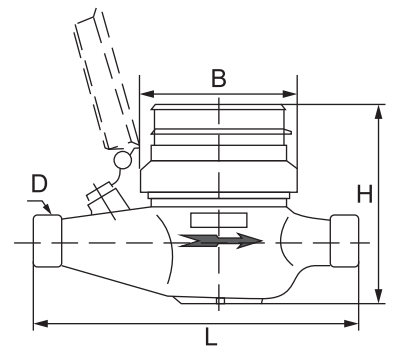


Head Loss Curve:



Dimensions and Weight:

Meter Size Dia DN	L Length	B Width	H Height	Connecting Thread D	Weight Kg
(mm)	(mm)				
15	165	80	102	G 3/4B	1.1
20	190	80	105	G 1B	1.4



WORKING CONDITION:

Water temperature: $\leq 50^\circ\text{C}$ for cold water meter
 Water temperature: $\leq 90^\circ\text{C}$ for hot water meter
 Working pressure: $\leq 1.6\text{Mpa}$